

inspired LED

Impression Series In-Wall

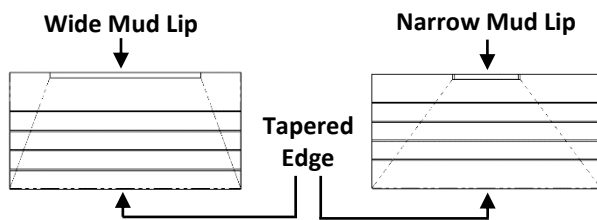
Reversible Mud Caps

The new **Impression Series Reversible End Cap** from Inspired LED is a simple accessory designed to help installers build beams of recessed low-voltage light directly into drywall. Combine with Impression Series aluminum channels, lenses, and Mega Bright flexible LED strips to create a stunning lighting effect!

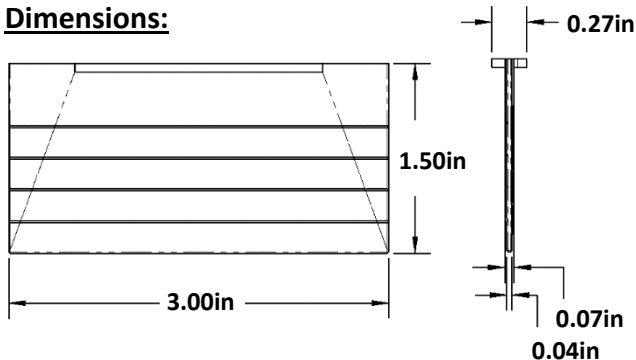


SKU #3774 (pair)

Components: (reversible)



Dimensions:



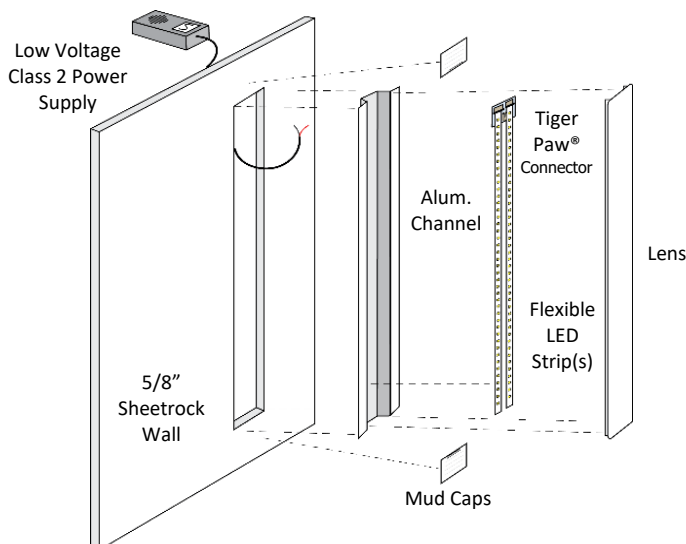
Product Features:

- Sold in pairs
- Tapered edges for smoother mud coverage
- For use with Impression Series Wide diffusor lenses and aluminum channels *and* Impression Series Narrow diffusor lenses and compatible architectural reveals
- Recommended for use with 12V or 24V Mega Bright LED strips

Mechanical Specifications:

- Mud Cap Width: 1.5"
- Mud Cap Height: 0.27"
- Mud Cap Length: 3.0"
- Net Weight: 5g (each)

Installation:



Note: Due to the labor intensive nature of this product, it is recommended that the Impression Series System be installed by an experienced drywall professional. **See full installation guide for step-by-step instructions.*



inspiredled.com



orders@inspiredled.com



(480) 941-4286