

12V DC 60W Universal Dimmable Driver 5-in-1 Dimming

TRIAC Phase-Cut, 0/1-10V, PWM, Resistance Dimming

Inspired LED

SKU: 8620

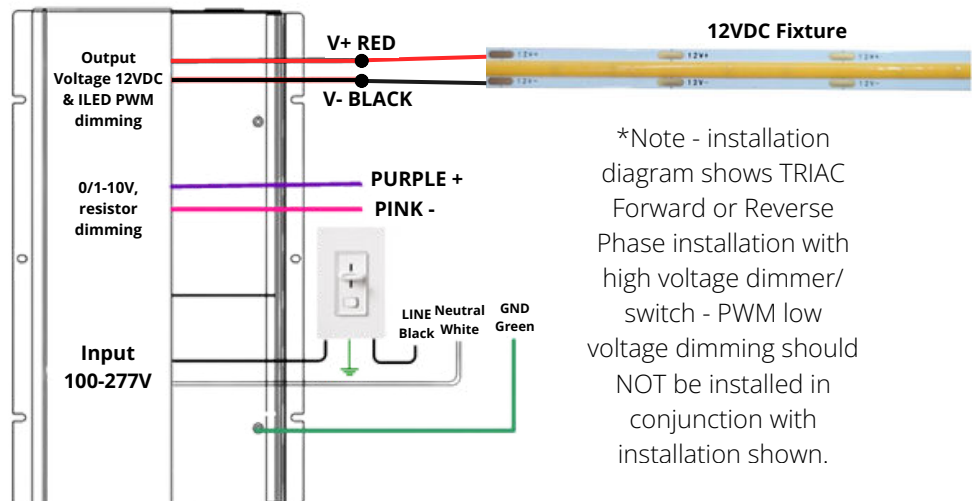


The EMCOD 12V 60W Universal 5-in-1 dimmable driver is designed to accept all different types of dimming. Can be used with Forward Phase, MLV, and Reverse Phase, ELV, TRIAC. Also works with 0-10V dimming (0-10V, 1-10V, Potentiometer) and PWM dimming. Designed to work with Inspired LED's standard 12V LED tape and high density 12V LED and COB tapes.

Product Features:

- Universal 5-in-1 Dimming: Forward Phase, MLV and Reverse Phase, ELV, TRIAC, 0-10V dimming: 0-10V/1-10V/ Potentiometer/10V PWM
- Smooth flicker-free dimming to 1%
- Compatible with a wide variety of Inspired LED products, including COB
- Universal Input Voltage 120-277VAC
- Outdoor-rated NEMA 3R enclosure with built-in junction box, for dry, damp and wet locations.
- 5 year warranty

Installation Diagram:



*Note - installation diagram shows TRIAC Forward or Reverse Phase installation with high voltage dimmer/ switch - PWM low voltage dimming should NOT be installed in conjunction with installation shown.