

inspired LED **RGBW Dimmer & Wireless Remote**

The **Spectrum Series Single Zone RGBW Dimmer with Wireless Remote** is a convenient solution for controlling Inspired LED's RGBW color changing systems with ease. Combined with 24V DC power supplies and RGBW flex strips, this device provides a range of brightness levels and colors at the touch of your fingers. Quick function buttons allow the entire system to be turned on and off in sync, or cycled through a variety of pre-programmed modes.

Single Zone Set



Wireless Remote



Dimming Receiver Module

(Sold as set) SKU #3844

Product Features:

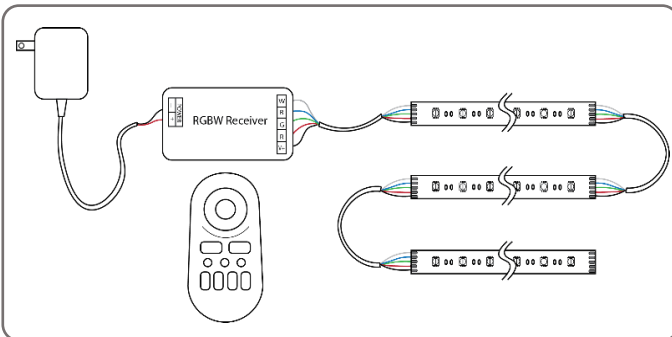
- RF range up to 30 meters
- Compatible with 24V DC power supplies
- Removable 3.5 x 1.3mm input comes as standard
- 5-conductor screw terminal output for RGBW control
- 0-100% dimming, quick functions (On, Off, Mode, Speed+, Speed-), smart memory retains most recent settings
- Requires two AAA batteries (included)
- Remote and receiver sold as *set only*
- CE certified , RoHS compliant



Specifications:

	Receiver	Remote
Working Voltage	12V/24V DC	3V
Max Load Current	6A / channel	N/A
Max Standby	0.5W	<20uA
Transmitting Power	N/A	6dBm
Frequency	2.4GHZ	2.4GHZ

Wiring Diagram:

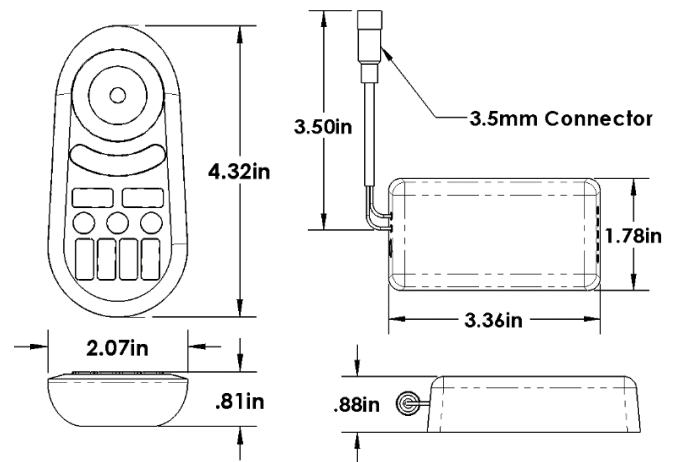


Instructions:

To Install Receiver-

1. Lay out RGBW strips in desired system orientation.
2. Connect cable from LEDs to side of receiver marked "V+RGBW" by first stripping back wires about 1/4" and loosening screw terminals with small flathead screw driver.
3. Match polarities (V+ =live, R=red, G=green, B=blue W=white) inserting each into appropriate terminal, then retighten screws.
4. Connect 24V DC power supply to receiver side marked "power". Plug directly into female connector, or remove pigtail, strip ends of power supply cable, match +/- polarity to terminals, and retighten screws.

Mechanicals:



To Pair Remote to Receiver-

1. Connect 24V DC power supply to side of receiver marked "power".
2. Within 3 seconds of connecting power, press the (ON) button once.
3. Connected lights will blink 3 times to indicate successful pairing.
4. Repeat steps 1-3 to pair additional remote and receiver sets.
5. Once complete, test each remote for control.

To Use Remote-

1. Use (ON)/(OFF) buttons to quickly turn RGBW system on and off.
2. Rotate finger around color wheel to browse colors, dim or brighten LEDs using slide bar.
3. Cycle through programmed modes using the (M) button, use (S-) to decrease the pattern's speed or (S+) to increase speed.
4. Adjust individual color levels using (W) (R) (G) (B) buttons.

To Un-pair Remote from Receiver-

1. Connect 24V DC power supply to side of receiver marked "power".
2. Within 3 seconds of connecting power, quickly press and hold the (ON) button for 5 seconds.
3. LEDs will blink ten times to indicate successful un-pairing of remote.

Troubleshooting-

1. If lights turn on but do not dim or change color, ensure all polarities are properly matched. Reversal will cause malfunction.
2. Faint red light inside color ring indicates power, if no light is visible when using remote, replace batteries.

