

inspired **LED**

# Automotive Lift Light Kit



The **Automotive Lift Light Kit** from Inspired LED features a unique LED system encased in a flexible PVC jacket, sturdy enough to stand up to oil, grease, and other elements of a mechanic shop or garage. With its simple plug & play design, magnetic mounting pads, and convenient switch, the Lift Light Kit is easy to install and simple to adjust, providing an ideal lighting solution for automotive repair work or display.

**Standard pre-made kits, or custom sizes and colors available by request via [design@inspiredled.com](mailto:design@inspiredled.com).**

**US PATENT #: 9115858**

**UPC Code: 7455585-8455-7**

## Product Features:

- Super Bright Pure White LEDs (4200K)
- Durable, weather resistant PVC casing
- Energy efficient, rated to last 100,000 hours
- Magnetic mounting pads or easy install
- Fits most straight 4-post lifts and some 1-post lifts

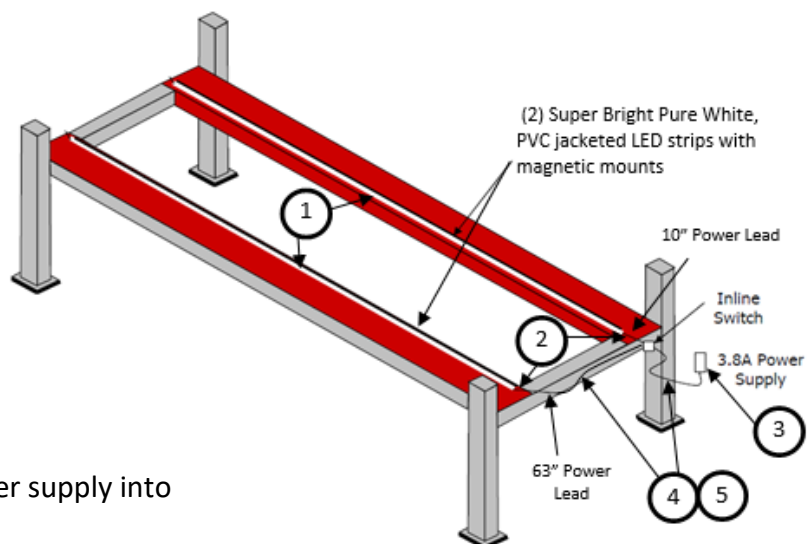
**To be installed in accordance with NEC, using Class 2 power supply only**

## Specifications:

- (2) PVC jacketed Super Bright Pure White flexible LED Strips: 13' (L) x 0.56" (W) x 0.44" (H)
- (9) Magnetic mounting pads per strip, every 20"
- (1) 3.8 AMP power supply w/ 6' cable (UL Listed)
- (1) In line Switch 2.38" (L) x 0.75" (W) x 0.56" (H) w/ VHB adhesive mounting pads and two power leads.
- (6) Cable Clamps: 1" (L) x 1.5" (W) x 0.25" (H)

## Instructions:

- 1** Align and position light strips along top of lift ramps.
- 2** Connect strips by plugging 36" cable into female end jacks.
- 3** Plug cable at the other end of light strips into in-line switch.
- 4** Plug end connector from 3.8 AMP power supply into in-line switch.
- 5** Plug 3.8 AMP power supply into wall outlet, reposition lights as needed before removing adhesive backing from in-line switch and adhering in place.



inspiredled.com



orders@inspiredled.com



(480) 941-4286