

inspired LED

12V COB LED Tape 420 LED/m

Flexible LED Strip



C US
265216

Inspired LED's **12 Volt COB Flexible Strip Lights** are a simple, cost-effective solution for various task lighting applications. The higher density LEDs are encapsulated under epoxy creating seamless light uniformity. The higher density of LED diodes emits a strong light intensity while maintaining efficiency. Available in 12 Meter reels or bulk strips, these unique strips can easily be cut and terminated with the **iDea Series Screw Terminal Solderless Connector** for easy DIY installation. Energy efficient, long-lasting, and dimmable with compatible systems, Inspired LED COB flex strips are the perfect option for any lighting application!

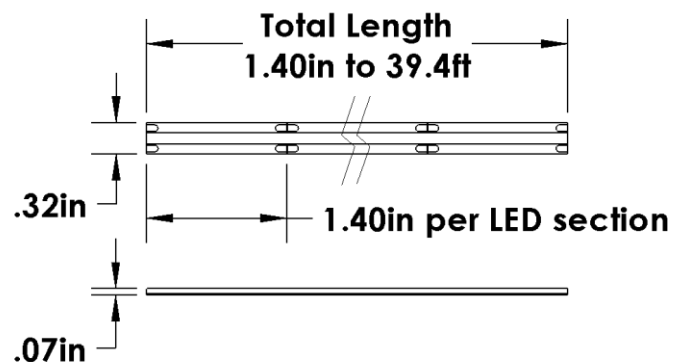


Specifications:	Voltage	LED Density	Wattage	Luminosity	Color Temp	CRI
Warm White	12VDC	126 LEDs/ft., 420 LEDs/m	2.75W/ft.	196 lm/ft.	3000K	92
Pure White	12VDC	126 LEDs/ft., 420 LEDs/m	2.75W/ft.	209 lm/ft.	4000K	93

Product Features:

- Chip-on-Board (COB) LEDs
- 8mm flex, cut points available every 1.4" (15 LEDs)
- Available in bulk pre-cut lengths or full 12m reels
- Class 2 DC plug-in connector (3.5 x 1.3mm), iDea Series Solderless Connectors or 18AWG-22AWG direct soldered leads available
- 3M adhesive mounting to almost any flat surface
- Dimmable with compatible systems
- Rated to last up to 100,000 hours
- CSA C22.2 No. 250.0-08/ANSI/UL Standard 1598, 8750
- **To be installed in accordance with NEC, using Class 2 12V power supply or constant voltage transformer only!**

Product Dimensions:



**Dimensions show in inches*

Power Requirements:

Power Source	Max Length
1 Amp (12 W)	42" (9.75 W)
20W Transformer	70" (15.9 W)
2 Amp (24 W)	85" (19.5 W)
40W Transformer	144" (33W)
5 Amp (60 W)	210" (48W)
60W Transformer	210" (48W)
100W Transformer	350" (80W)
150W Transformer	522" (120W)

**70% brightness at 150". Longer strips should be powered from the center to avoid further voltage drop.*

Installation Instructions:

1. Clean desired mounting surface(s) and test all products prior to installation.
2. Terminate iDea Series Screw Terminal Connector or solder 18AWG-22AWG wire directly to LED strip copper pads.
3. Temporarily mount LED flex strips using scotch or painters tape.
4. If using a low-voltage in-line switch or dimmer, connect the accessory to the LED strip using a low-voltage cable.
4. Connect 12VDC Class 2 Power Supply to in-line accessory or LED strip.
5. Test lighting system. When satisfied with the placement, peel adhesive backing from components and press firmly to adhere to surface.

Troubleshooting: *If LEDs are flickering, double check connection to be sure flex is fully inserted and secured, if no lights turn on check polarity to be sure they are properly matched.*



inspiredled.com



orders@inspiredled.com



(480) 941-4286