

inspired LED **Spectrum Series RGB**



12V Super Bright RGB Flex

The **Spectrum Series 12V RGB** system from Inspired LED is a creative, customizable way to add a splash of color to your world! Our flexible strips feature a series of color changing LED diodes encased in silicone for increased durability. Using compatible connectors and controllers, you can create a unique system of light and color suited for almost any application.



SKU: 12V-SB-RGB

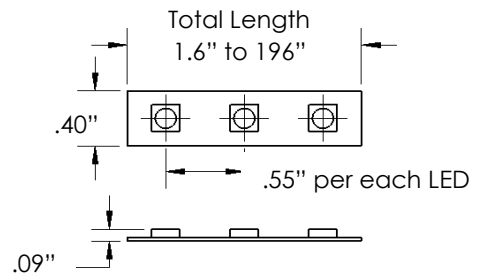
Product Features:

- Color changing 5050 RGB diodes
- Custom lengths or 5 meter reels
- Low profile design (10 mm x 2mm)
- Minimal heat production- no IR or UV light
- Adhesive mounts to almost any flat surface
- European Union CE, RoHS compliant
- To be used with compatible 12V 4-conductor RGB products

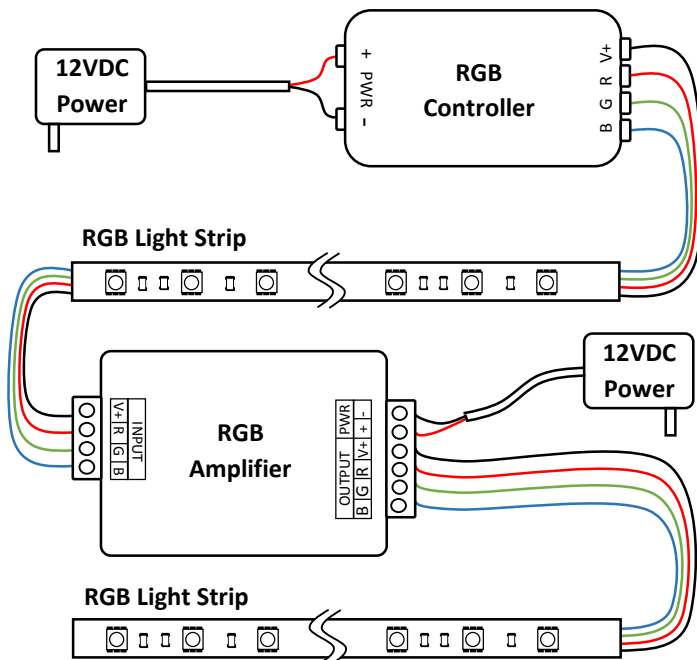
Specifications:

- Power: 12V DC, 5.5 Watts/foot
- 72 LEDs/meter (21 LEDs/foot)
- Cut points every 1.6 inches
- Rated to last up to 100,000 hours

To be installed in accordance with NEC, compatible with non-dimmable single output 12V power supplies only



Wiring Diagram:



Installation Instructions:

1. Clean desired mounting surface(s) and test all products prior to installation
2. Temporarily mount RGB flex strips in desired locations using scotch or painter's tape
3. Terminate RGB strips with compatible 4-conductor end connectors or direct solder leads
4. Run 4-conductor cable from LED system to RGB controller and/or RGB amplifier
5. Using 4-conductor cable, connect RGB controller and/or RGB amplifier to 12VDC power supply
6. When satisfied with placement & functionality, peel adhesive backing from LED strips and press firmly to secure in place



inspiredled.com



orders@inspiredled.com



(480) 941-4286