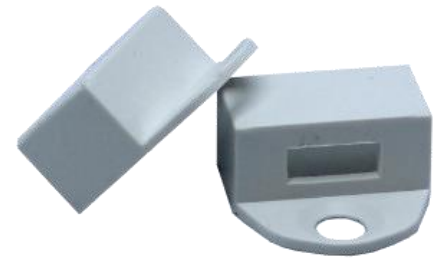
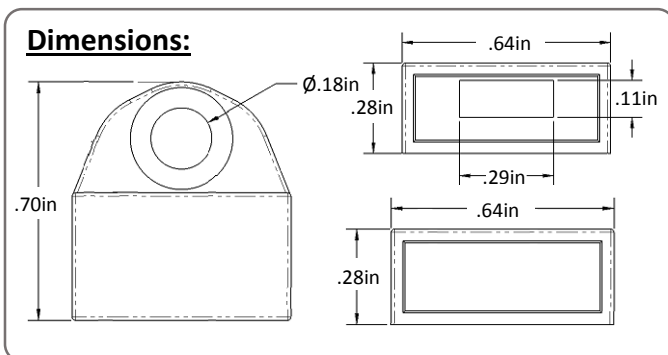
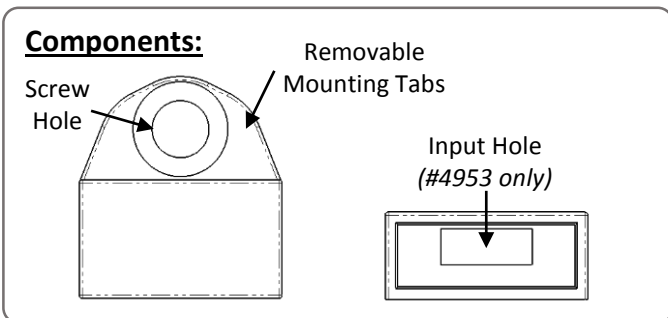


## 8mm or 10mm Panel

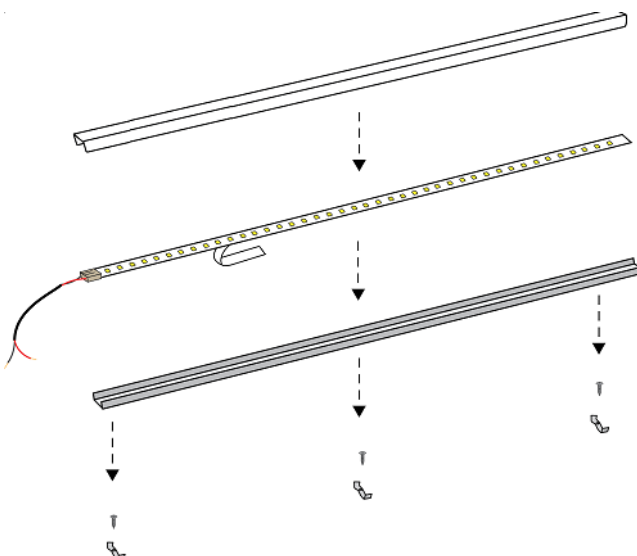


SKU# 4953 (With Input Hole)  
SKU# 4952 (Without Input Hole)

The iDea Series LED System offers a variety of quick convenient solutions for designing, installing, and modifying LED systems in field. Simply cut LED flex strips to length, add connectors, lay the LEDs along an aluminum channel, and snap your choice of covers in to place. Creating custom LED fixtures has never been easier than with the innovative iDea Series LED system from Inspired LED.



**Assembly:**



*\*See full installation guide for step-by-step instructions.*

**Product Features:**

- Compatible with iDea Series 8mm or 10mm lens and aluminum
  - 8mm Lens (3566-C/W) & Aluminum (3565)
  - 10mm Lens (3633-C/W) & Aluminum (3606)
- iDea Series system recommended for use with:
  - 12V Mega Bright, or 24V Mega Bright LEDs (see LED specs for more info including power requirements)
  - iDea Series Connectors or direct soldered leads only
- Lightweight ABS plastic polymer material
- Mounting tabs can be bent & removed for aesthetic appeal
- Sold individually with mounting screw included

**Specifications:**

- Width: 0.64", Height: 0.28", Length: 0.70"
- Net Weight: 1g (each)

