

Radiant Edge Series DIY Tall (1") Set

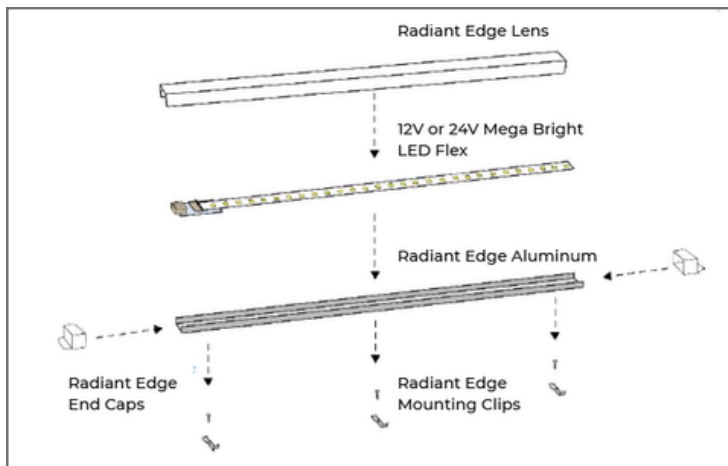
Surface Mount Fixture

Inspired LED

SKU: 8493

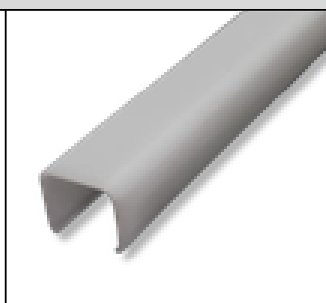
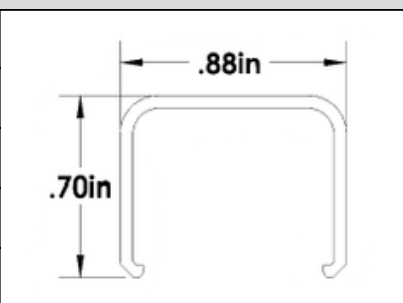
Set Includes: (1) Aluminum, (1) Lens, (4) End Caps, (4) Metal Clips

The Radiant Edge Series LED System provides a range of convenient solutions for designing, installing, and adjusting LED systems on site. Just trim the LED flex strips to the desired length, attach connectors, place the LEDs in an aluminum channel, and snap on your preferred covers. Crafting personalized LED fixtures is now simpler than ever with the innovative iDea Series LED system by Inspired LED.



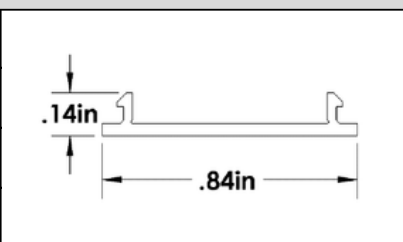
Radiant Edge Series Tall (1") Diffusor Lens

SKU:	3725-W
Dimensions:	72" x 0.88" x 0.7"
Net Weight:	148g (5.22 oz)
Material:	Diffused Polycarbonate
Lumen Loss:	~25%



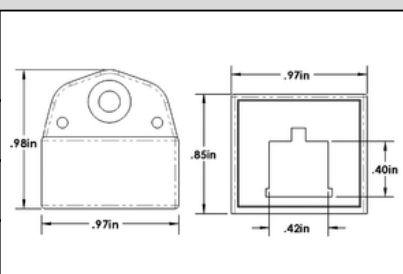
Radiant Edge Series Aluminum Channel

SKU:	3662
Dimensions:	72" x 0.84" x 0.14"
Net Weight:	113g (4 oz)
Material:	Lightweight Aluminum



Radiant Edge Series Tall End Caps

SKU:	3750 (with hole) 3770 (without hole)
Dimensions:	0.98" x 0.97" x 0.85"
Net Weight:	2g (0.8 oz)
Material:	ABS Plastic Polymer



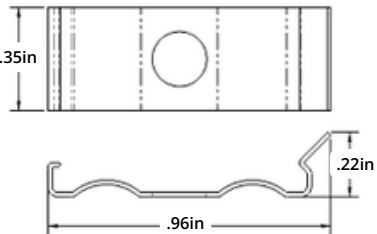

Radiant Edge Individual Components

Surface Mount Fixture

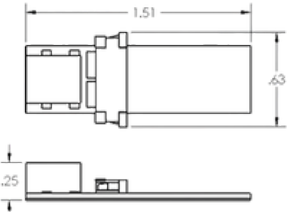
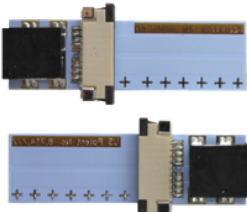
Compatible Accessories

Inspired LED

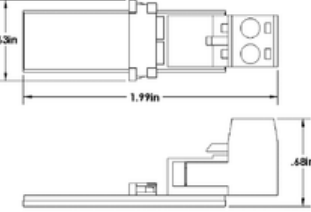
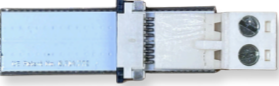
Radiant Edge Series Metal Mounting Clips

SKU:	3739 (10-Pack) <i>Screws Included</i>		
Dimensions:	0.99" x 0.35" x 0.22"		
Net Weight:	1g (0.04 oz)		
Material:	Lightweight Aluminum		

3.5mm Plug-In Tiger Paw LED Connector® (sold separately)

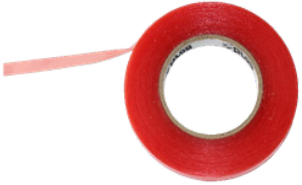
SKU:	4938		
Dimensions:	1.51" x 0.63" x 0.25"		
Net Weight:	3g (0.10 oz)		
Max Load:	3.5 AMPS		

Screw Terminal Tiger Paw LED Connector® (sold separately)

SKU:	3896		
Dimensions:	1.99" x 0.63" x 0.68"		
Net Weight:	5g (0.18 oz)		
Max Load:	5 AMPS		

Killer Red Adhesive (sold separately)

Bron's BT3854 "Killer Red" is a transparent double-sided self-adhesive tape consisting of PET backing and a modified acrylic adhesive.

SKU:	3551	SKU:	3550	
Dimensions:	5/16" x 36 yards	Dimensions:	7/16" x 36 yards	

VHB Adhesive (sold separately)

3M™ VHB™ Tapes RP45(F) are double-sided pressure sensitive adhesive tapes for bonding a variety of substances including many metal, plastic and painted materials. All tapes come as standard with a paper or polyethylene film layer.

SKU:	3590	SKU:	3591	
Dimensions:	3/8" x 36 yards	Dimensions:	1/2" x 36 yards	