

4-Position Push Button Dimmer

for Low-Voltage Lighting Systems

Inspired LED

SKU: 4821



Inspired LED's in-line **4-Push Button Dimmer** offers a straightforward and budget-friendly solution for managing 12V–24V DC LEDs connected to a plug-in power supply. Its low-profile design allows for easy concealment, and the user-friendly on/off function makes it an ideal enhancement for any plug-and-play lighting system. Cycle through four brightness levels to achieve desired light output.

Product Features:

- Includes 4" Interconnect Cable
- Low-profile modular design
- Simple push button cycles 4 levels of brightness and off
 - 25%, 50%, 75%, 100%, off
- Adhesive backing and/or screw mount
- Works with plug-in power supplies (not for use with hardwire transformers)
- Can be used in combination with the In-Line On/Off Switch (SKU# 4775)

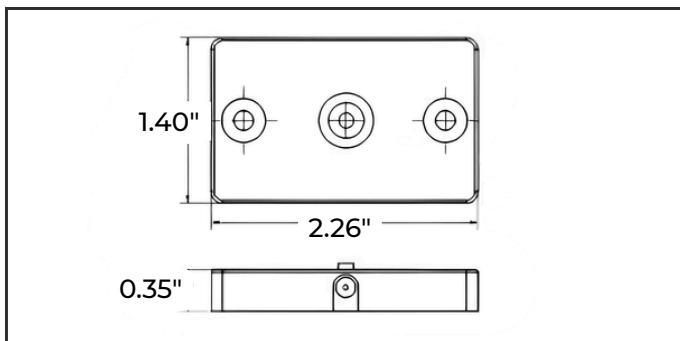
Specifications:

- **Working Voltage:** 12V - 24VDC in/out
- **Max Load:** 4A
- **Quiescent Current:** 0 mA
- **Input Connector:** 3.5mm x 1.3mm
- **Dimensions:** 2.26" x 1.40" x 0.35"
- **Net Weight:** 12g

Installation Instructions:

1. Temporarily secure LED lights in desired location using Scotch or painter's tape, and wire each light to the next using interconnect cables.
2. Run cable from first set of lights to dimmer. Plug cable into side marked **LED**
3. Connect 12V - 24V DC power supply (depending on selected LED system) to other side marked **POWER**
4. Plug power supply into wall outlet. Turn dimmer on and off to verify functionality.
5. Once satisfied with system placement and functionality, remove adhesive backing from components and secure in place.
6. Use cable clamps and optional screws to attach input and output cables to underside of cabinet.

Mechanical:



Wiring Diagram:

