

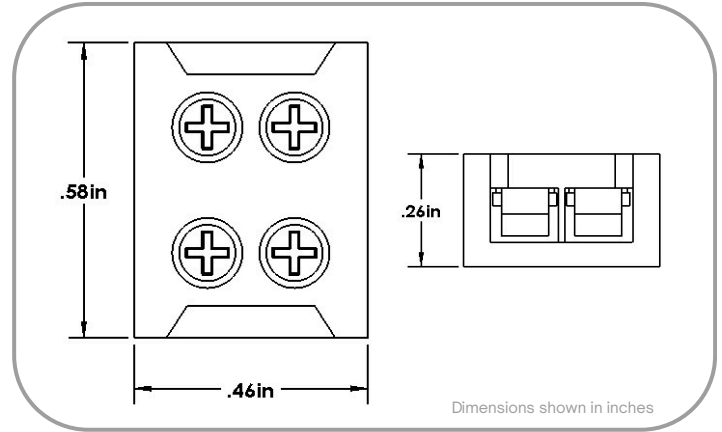
8mm Clear 4-Screw End Connector

Flex to Flex

Inspired LED

SKU: #8579-MID

Introducing Inspired LED's **Clear 4-Screw End Connectors!** The perfect solution for your LED system design and customization needs. Pair them with 8mm LED flex strips for easy installation in the field. Compatible with iDea Series aluminum and lenses. Brighten up your day and create the perfect low-voltage lighting system with Inspired LED!

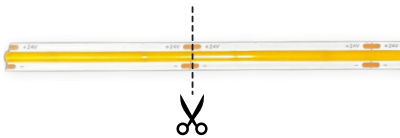


Product Specifications:

- Solderless termination for 8mm LED flex strips
- Flex to flex connection
- Max load - 5 AMPS
- Net weight - 3g
- VHB adhesive backing included

Instructions:

1 Use scissors to cut LED strip to length along the copper solder pads ONLY.



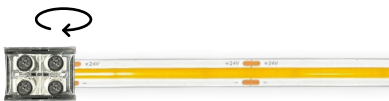
2 Loosen the screws on one side of the connector and peel adhesive liner from LED strip.



3 Insert LED strip into LED input channel of connector.



4 Tighten screws onto the LED strip, you will be able to see the screws touch the copper pads of the LED strip.



5 Identify polarity on LED strip. Peel adhesive liner from other LED strip and match the polarity to the LED strip that is already installed.



6 Tighten screws onto the LED strip, you will be able to see the screws touch the copper pads of the LED strip.



Troubleshooting: If LEDs are flickering, double check connection to be sure flex is fully inserted and secured, if no lights turn on check to be sure polarities are properly matched. Connector must maintain secure contact to avoid overheating.