

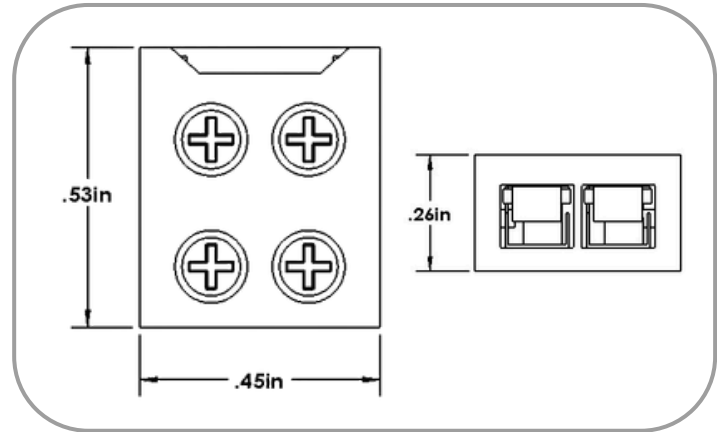
COB 4-Screw End Connector

Flex to Wire

Inspired LED

SKU: #8579-END

The COB 4-Screw Flex to Wire Connectors are the recommended connector for our COB LED product line and are compatible with most 8mm wide single-color LED strips. Their compact, low-profile design makes them an excellent choice for installations requiring a clean appearance, including applications within aluminum channels and beneath diffused lenses. The secure four-screw termination provides a reliable, solder-free connection, making field installation, custom system modifications, and maintenance quick and straightforward.

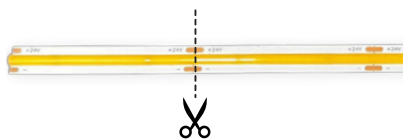


Product Specifications:

- Solderless termination for 8mm COB flex strips
- Accepts 18-22 AWG solid wire
- Max load - 5 AMPs
- Net weight - 3g
- VHB adhesive backing included
- Flex to wire termination

Instructions:

1. Use scissors to cut LED strip to length along the copper solder pads ONLY.



2. Loosen screws on input side of connector and peel adhesive liner from LED strip.



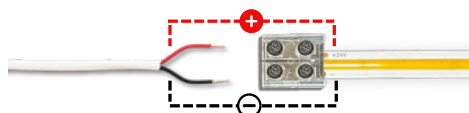
3. Insert LED strip into LED input channel of connector.



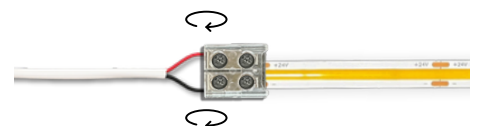
4. Tighten screws on input side, you will be able to see the screws touch the copper pads of the LED strip.



5. Identify polarity on LED strip. Strip 2-conductor cable with wire strippers and match the polarity between the connector and cable.



6. Insert cable leads into the wire holes on the connector and tighten the screws. You will see screws touching the cable.



Troubleshooting: If LEDs are flickering, double check connection to be sure flex is fully inserted and secured, if no lights turn on check to be sure polarities are properly matched. Connector must maintain secure contact to avoid overheating.