

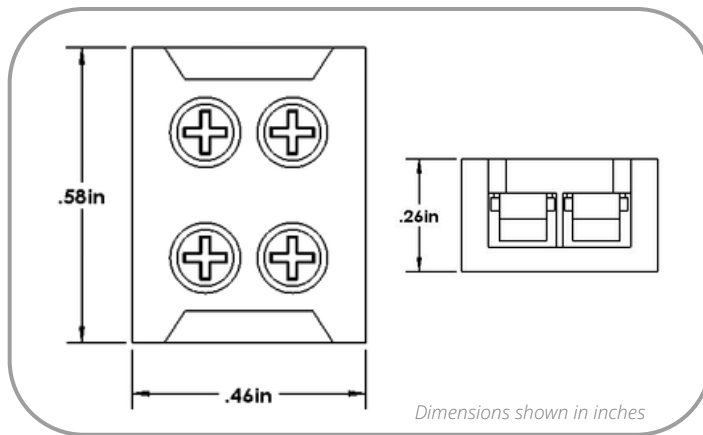
# COB 4-Screw Mid Connector

Flex to Flex

Inspired LED

SKU: #8579-MID

The COB 4-Screw Flex to Flex Connectors are the recommended connector for our COB LED product line and are compatible with most 8mm wide single-color LED strips. Their compact, low-profile design makes them an excellent choice for installations requiring a clean appearance, including applications within aluminum channels and beneath diffused lenses. The secure four-screw termination provides a reliable, solder-free connection, making field installation, custom system modifications, and maintenance quick and straightforward.

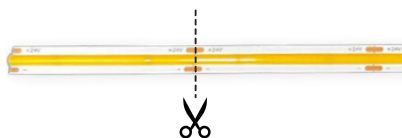


## Product Specifications:

- Solderless termination for 8mm COB flex strips
- Accepts 18-22 AWG solid wire
- Max load - 5 AMPs
- Net weight - 3g
- VHB adhesive backing included
- Flex to flex termination

## Instructions:

1. Use scissors to cut LED strip to length along the copper solder pads ONLY.



2. Loosen screws on input side of connector and peel adhesive liner from LED strip.



3. Insert LED strip into LED input channel of connector.



4. Tighten screws onto the LED strip, you will be able to see the screws touch the copper pads of the LED strip.



5. Identify polarity on LED strip. Peel adhesive liner from other LED strip and match the polarity to the strip already installed.



6. Tighten screws onto the LED strip, you will be able to see the screws touch the copper pads below.



**Troubleshooting:** If LEDs are flickering, double check connection to be sure flex is fully inserted and secured, if no lights turn on check to be sure polarities are properly matched. Connector must maintain secure contact to avoid overheating.