

# 24V COB | 144 LEDs/ft

## Flexible LED Strips

Inspired LED

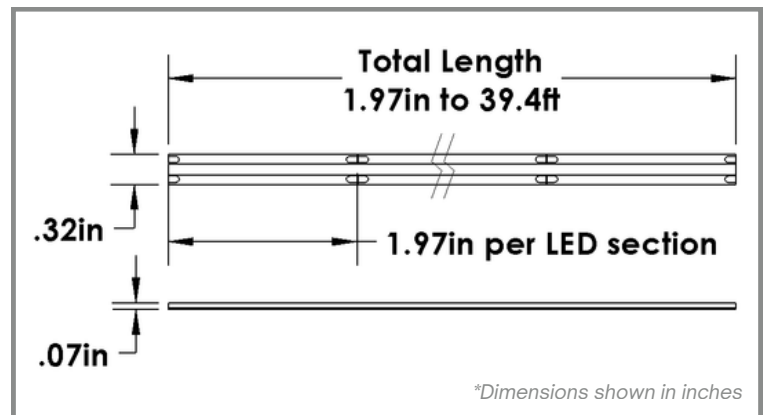
SKU: 24V-COB-XXXXK-12M

The **24V COB Flexible Strip** Lights provide a straightforward and budget-friendly solution for a variety of task lighting needs. The high-density LEDs are encased in epoxy, ensuring seamless light uniformity. With a greater number of LED diodes, these strips deliver strong light intensity while remaining efficient. Offered in 12M reels or in bulk strips, these versatile lights can be easily cut and connected using the iDea Series Screw Terminal Solderless Connector, making DIY installation a breeze. Energy-efficient, long-lasting, and dimmable with compatible systems.



<b>Specifications:</b>	Voltage	LED Density	Wattage	Lumunosity	Color Temp.	CRI
Warmer White	24V DC	144 LEDs/ft., 480 LEDs/M	3.15 W/ft	300 lm/ft	2700K	93
Warm White	24V DC	144 LEDs/ft., 480 LEDs/M	3.15 W/ft	305 lm/ft	3000K	93
Neutral White	24V DC	144 LEDs/ft., 480 LEDs/M	3.15 W/ft	330 lm/ft	3500K	92
Pure White	24V DC	144 LEDs/ft., 480 LEDs/M	3.15 W/ft	340 lm/ft	4000K	92
Cool White	24V DC	144 LEDs/ft., 480 LEDs/M	3.15 W/ft	340 lm/ft	6000K	95

<b>Specifications:</b>	
Diode Size	Chip-on-Board LEDs
Installation	3M Adhesive Backing
Compatible Connectors	(8464) iDea Series 4-Screw End Connector (8579-END) 4-Screw End, Wire to Flex (8579-LT) 4-Screw 90-Degree Corner, Flex to Flex (8579-MID) 4-Screw Mid-connector, Flex to Flex
Dimmable	To be installed in accordance with NEC, using Class 2 24VDC power supply!



<b>Qualifications:</b>	
Certification	UL Listed E500305
	RoHS Compliant & CE Certified
Compliance	Class 2
IP Rating	IP20
Lifespan	50,000+
Warranty	5 years

<b>Dimensions:</b>	
Width	0.32" (8mm)
Length	<39ft (12M)
Height	0.07"
Cut Points	Every 1.97"
LEDs/Cut Point	24 LEDs

### Installation Steps for LED Flex Strips:

- 1. Prepare the Mounting Surface:** Clean the desired surface(s) and test all products before installation.
- 2. Connect the Wires:** Terminate the iDea Series Screw Terminal Connector or solder 18AWG-22AWG wire directly to the copper pads of the LED strip.
- 3. Temporarily Secure the LED Strips:** Use Scotch tape or painter's tape to hold the LED flex strips in place.
- 4. Connect Accessories:** If utilizing a low-voltage in-line switch or dimmer, connect it to the LED strip via a low-voltage cable.
- 5. Power Supply Connection:** Attach a 24VDC Class 2 Power Supply to the in-line accessory or directly to the LED strip.
- 6. Test the Lighting System:** Ensure everything is functioning correctly.
- 7. Finalize Placement:** Once you are satisfied with the positioning, peel off the adhesive backing from the components and firmly press them onto the surface.

