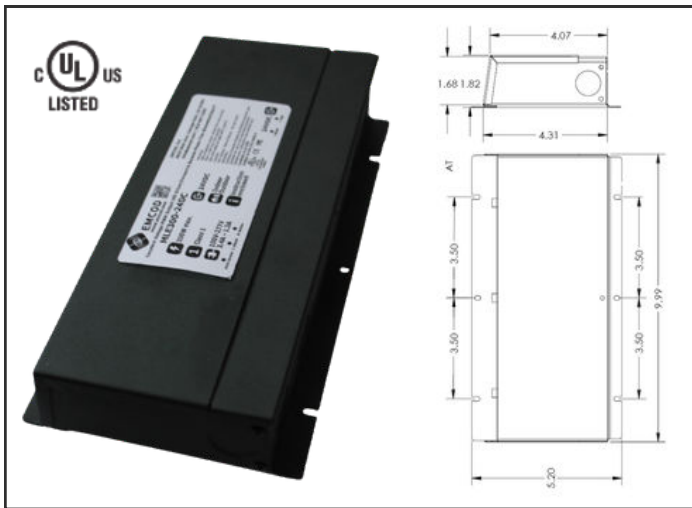


24V DC 300W Universal Driver 5-in-1 Dimming

TRIAC Phase-Cut, 0/1-10V, PWM, Resistance Dimming

SKU: 8626

Inspired LED



The EMCOD 24V 300W Universal 5-in-1 Dimmable Driver is designed to accept all different types of dimming. Can be used with Forward Phase, MLV, and Reverse Phase, ELV, TRIAC. Also works with 0-10V dimming (0-10V, 1-10V, Potentiometer) and PWM dimming. Designed to work with Inspired LED's standard 24V LED tape and high density 24V LED and COB tapes.

Product Features:

- Universal 5-in-1 Dimming: Forward Phase, MLV and Reverse Phase, ELV, TRIAC, 0-10V dimming: 0-10V/1-10V/Potentiometer/10V PWM
- Smooth flicker-free dimming to 1%
- Compatible with a wide variety of Inspired LED products, including COB
- Universal Input Voltage 120-277VAC
- Outdoor-rated NEMA 3R enclosure with built-in junction box, for dry, damp and wet locations.
- 5 year warranty

Specifications:

- Output: 24V DC 300W (12.5Amps)
- Input: 120VAC - 277VAC
- Working Temperature: Not to exceed 158°F
- Ambient Temperature: 113°F
- Dimming Range: Flicker-free to 1%
- Minimum Load: 5%
- Dimensions: 5.2" (L) x 10" (W) x 1.82" (D)
- Net Weight: 5.2 lbs
- Safety Standards:
 - Conforms to UL STD. 8750 and 1310
 - Certified to CAN/CSA-C22.2 No.250.0 (US)

Installation Diagram:

