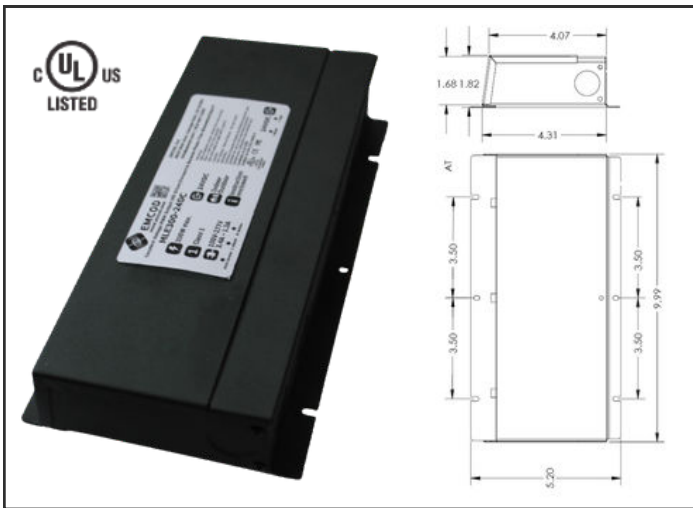


12V DC 300W Universal Driver 5-in-1 Dimming
 TRIAC Phase-Cut, 0/1-10V, PWM, Resistance Dimming
 SKU: 8623

Inspired LED



The EMCOD 12V 300W Universal 5-in-1 Dimmable Driver is designed to accept all different types of dimming. Can be used with Forward Phase, MLV, and Reverse Phase, ELV, TRIAC. Also works with 0-10V dimming (0-10V, 1-10V, Potentiometer) and PWM dimming. Designed to work with Inspired LED's standard 12V LED tape and high density 12V COB tapes.

Product Features:

- Universal 5-in-1 Dimming: Forward Phase, MLV and Reverse Phase, ELV, TRIAC, 0-10V dimming: 0-10V/1-10V/Potentiometer/10V PWM
- Smooth flicker-free dimming to 1%
- Compatible with a wide variety of Inspired LED products, including COB
- Universal Input Voltage 120-277VAC
- Outdoor-rated NEMA 3R enclosure with built-in junction box, for dry, damp and wet locations.
- 5 year warranty

Specifications:

- **Output:** 12V DC 300W (25Amps)
- **Input:** 120VAC - 277VAC
- **Working Temperature:** Not to exceed 158°F
- **Ambient Temperature:** 113°F
- **Dimming Range:** Flicker-free to 1%
- **Minimum Load:** 5%
- **Dimensions:** 5.2" (L) x 10" (W) x 1.82" (D)
- **Net Weight:** 5.2 lbs
- **Safety Standards:**
 - Conforms to UL STD. 8750 and 1310
 - Certified to CAN/CSA-C22.2 No.250.0 (US)

Installation Diagram:

