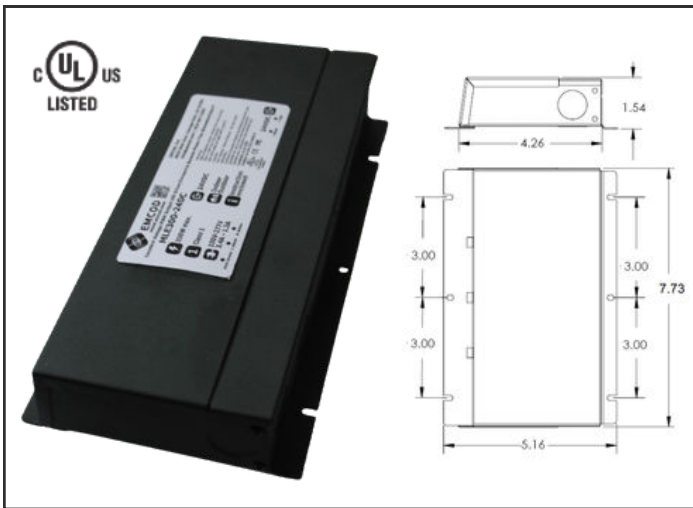


**12V DC 100W Universal Driver 5-in-1 Dimming**  
 TRIAC Phase-Cut, 0/1-10V, PWM, Resistance Dimming  
 SKU: 8621

**Inspired LED**



The EMCOD 12V 100W Universal 5-in-1 Dimmable Driver is designed to accept all different types of dimming. Can be used with Forward Phase, MLV, and Reverse Phase, ELV, TRIAC. Also works with 0-10V dimming (0-10V, 1-10V, Potentiometer) and PWM dimming. Designed to work with Inspired LED's standard 12V LED tape and high density 12V LED and COB tapes.

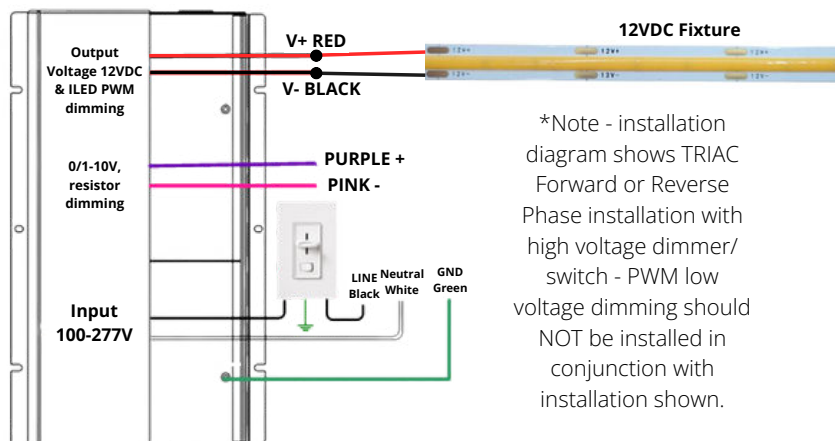
**Product Features:**

- Universal 5-in-1 Dimming: Forward Phase, MLV and Reverse Phase, ELV, TRIAC, 0-10V dimming: 0-10V/1-10V/Potentiometer/10V PWM
- Smooth flicker-free dimming to 1%
- Compatible with a wide variety of Inspired LED products, including COB
- Universal Input Voltage 120-277VAC
- Outdoor-rated NEMA 3R enclosure with built-in junction box, for dry, damp and wet locations.
- 5 year warranty

**Specifications:**

- **Output:** 12V DC 100W (8.3Amps)
- **Input:** 120VAC - 277VAC
- **Working Temperature:** Not to exceed 158°F
- **Ambient Temperature:** 113°F
- **Dimming Range:** Flicker-free to 1%
- **Minimum Load:** 5%
- **Dimensions:** 5.16" (L) x 7.73" (W) x 1.54" (D)
- **Net Weight:** 3 lbs
- **Safety Standards:**
  - Class 2
  - Conforms to UL STD. 8750 and 1310
  - Certified to CAN/CSA-C22.2 No.250.0 (US)

**Installation Diagram:**



\*Note - installation diagram shows TRIAC Forward or Reverse Phase installation with high voltage dimmer/switch - PWM low voltage dimming should NOT be installed in conjunction with installation shown.