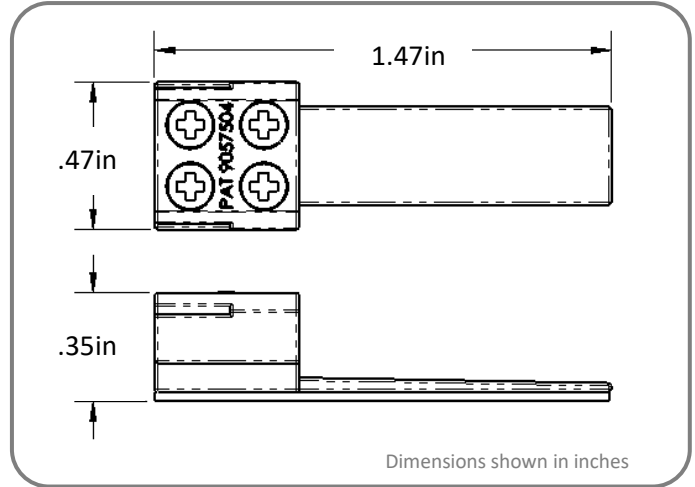


# inspired LED *iDea Series Screw Terminal Tiger Paw LED Connector*<sup>®</sup>

Inspired LED's patented solderless **iDea Series Screw Terminal Tiger Paw LED Connectors**<sup>®</sup> are the perfect solution for in-field LED system design and customization. These innovative accessories pair with 8mm LED flex strips for quick, convenient installation. Now, creating the perfect low-voltage lighting system is easier than ever, thanks to Inspired LED! Fits well with Idea Series aluminum and lenses.

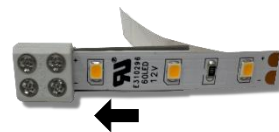


## Product Specifications: (SKU# 8464)

- Solderless termination for 8mm LED flex strips to 18-22 AWG solid wire
- Max Load- 5 AMPs
- Net Weight- 4g
- VHB adhesive backing included
- Industry proven locking system meets shock and vibration requirements for IEC 60068-2-27
- U.S. Patent No. 9,057,504

## Instructions:

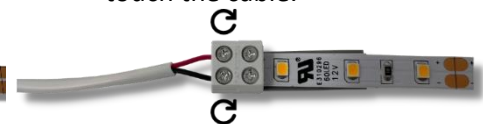
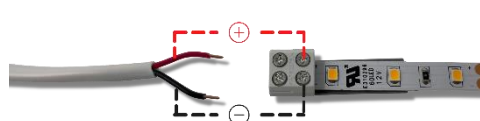
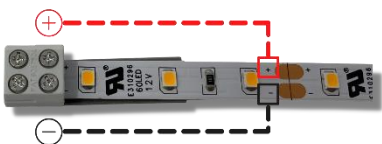
- 1 Use scissors to cut LED strip to length along the copper solder pads ONLY (located every 3 LEDs).
- 2 Loosen Screws on input side of connector and peel adhesive liner from flexible LED Strip
- 3 Insert flexible LED strip into LED input channel of connector.
- 4 Tighten screws on input side, you will be able to see the screws touch the copper pads of the LED strip



- 5 Identify polarity on LED strip. Polarity is marked throughout the length of the flexible LED strip.

- 6 Strip 18-22AWG cable with wire strippers and match the polarity between the LED connector and cable.

- 7 Insert cable leads into wire holes of connector and tighten screws to terminate cables. You will be able to see screws touch the cable.



**Troubleshooting:** If LEDs are flickering, double check connection to be sure flex is fully inserted and secured, if no lights turn on check to be sure polarities are properly matched. Connector must maintain secure contact to avoid overheating.

