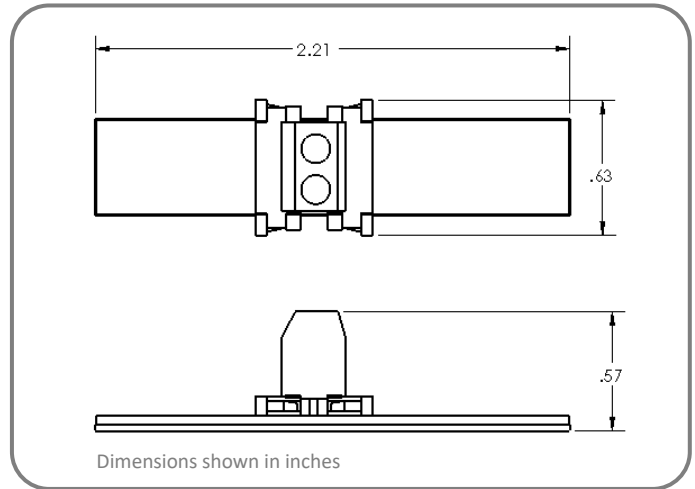
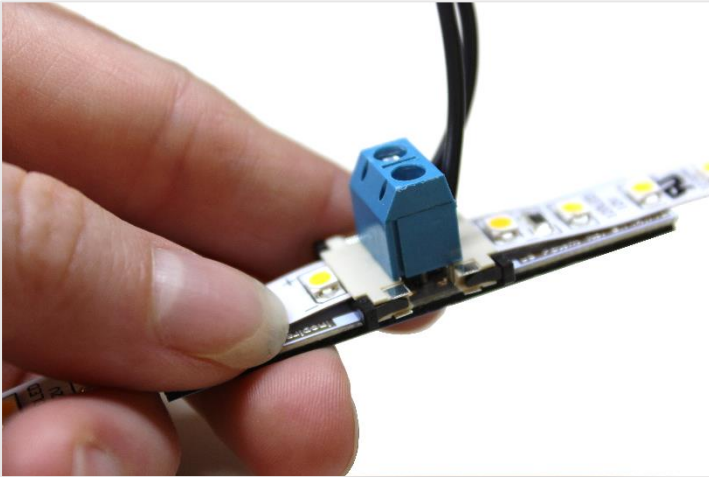


inspired LED **Tiger Paw**[®] Screw Terminal

Mid-connector

Inspired LED's patented solderless **Tiger Paw**[®] Connectors are the perfect solution for in-field LED system design and customization. These innovative accessories pair with LED flex strips for quick, convenient installation. Now, creating the perfect low-voltage lighting system is easier than ever, thanks to Inspired LED!



Product Specifications: (SKU# 3548)

- Solderless termination for 8-10mm LED flex strips to 16-22 AWG wire
- Max Load- 5 AMPs
- Net Weight- 4g
- VHB adhesive backing included
- Industry proven locking system meets shock and vibration requirements for IEC 60068-2-27
- U.S. Patent No. 8,714,772

Instructions:

- 1** Use scissors to cut LED strips to length along copper solder pads ONLY (located every 3 LEDs).
- 2** Take hold of black sliding latch and pull outward to open.
- 3** Peel back adhesive lining on LED strips about 1/2 inch.
- 4** Matching (+) polarity of LEDs, insert flex strips into gaps between black sliding latches and beige bridge piece.
- 5** Make sure LED strips are centered and fully inserted before sliding black latches firmly closed and pressing on adhesive.
- 6** Use small screw driver to loosen screws on the top of connector piece.
- 7** Strip cable back 1/4 inch to expose (+) and (-) wire, (if using Inspired LED cable, white writing indicates positive polarity).
- 8** Matching polarity of LEDs, insert wire, tighten screws and connect to Class 2 DC power. Verify all connections before continuing with install.

Troubleshooting: If LEDs are flickering, double check connection to be sure flex is fully inserted and secured, if no lights turn on check to be sure polarities are properly matched. Wires must maintain secure connection to avoid overheating.

