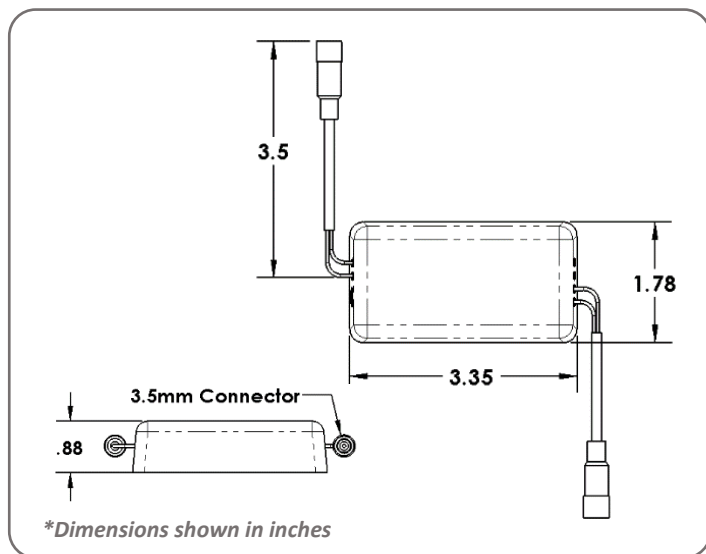


inspired LED *Multi-Zone Dimmable Receiver*

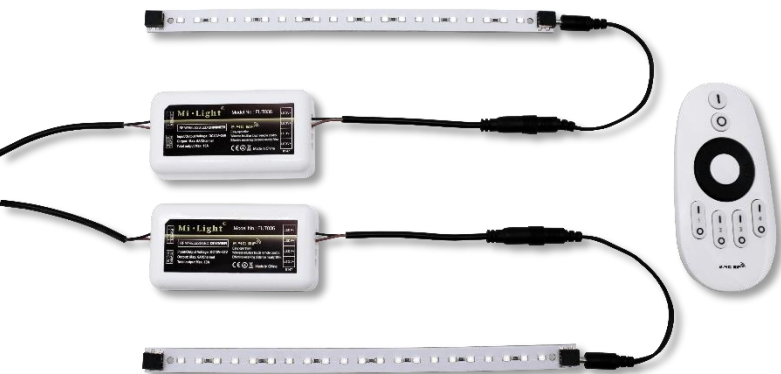


SKU #3762

For use with SKU #3763



Instructions:



Troubleshooting-

1. For best installation results, use two people: one person to plug in power, one to press control buttons
2. If lights turn on but do not dim, ensure power supply is plugged into side of receiver marked "power", and LEDs into "LED". Reversal will prevent dimming.
3. Faint red light behind central button indicates power, if no light is visible when using remote, replace batteries.

The **Multi-Zone Dimmable Receiver** combines with Multi-Zone Wireless Remotes (sold separately) to create a convenient solution for dimming multiple Inspired LED plug & play systems with ease. Compatible with 12V or 24V LED strips and plug-in power supplies, this product allows up to four different light zones to be controlled independently or in sync.

Product Features:

- Compatible with multi-zone wireless remotes (***sold separately***)
- Syncs with multiple remotes and other dimmable receivers for versatile system design
- 0-100% dimming, smart memory function retains most recent settings

Specifications:

- Standard 3.5 x 1.3mm input/output jacks, or direct screw terminal option also available
- Compatible with 12V or 24V DC plug-in power supplies
- Max Load- 6 AMPS
- Remote RF range up to 30 meters



Pair Receiver Modules to Remotes (***sold separately***)-

1. Install all LED lights according to their instructions.
2. Connect lights to side of receiver marked "LED".
3. Plug 12/24V DC power into side of receiver marked "power".
4. Within 3 seconds of connecting power, press desired zone ON button (up). Lights fade on & off 3 times to indicate success.

To Use Remote Controls-

1. Ensure LED lights have been properly installed and all desired zones have been paired to remote(s).
2. To control all zones at once, press the Master ON button at the top of remote. Or, to control a single zone, press desired Zone button ON (up).
3. Scroll black wheel left and right to dim or brighten the most recently selected zone or zones.
4. To turn off a single Zone, press the Zone OFF button (down).
5. To turn off all zones at once, press the Master OFF button.

Remove Remotes from Receiver Modules-

1. Remove and reconnect 12/24V DC power to receiver module.
2. Within 3 seconds of connecting power, rapidly press the currently synced Zone button ON (up) five times in a row.
3. Lights will fade on & off 10 times to indicate successful desynchronization.



inspiredled.com



orders@inspiredled.com



(480) 941-4286